

MINGRONG

Professional Manufacturer for High & Low Voltage Fuses and Fusegears Combined Electrical Appliance

Product Center

>> Home / Product Center / Tube bolts



Parameter Feature Outline Curve

Cat. No.	Models		Cross-reference		Rated voltage (V)	Rated current (A)	Dimensions/size (mm)										Weight (g)
	gG(Normal)	aR(Fast)	gG(Normal)	aR(Fast)			Fig. A	B	C	φD	E	F	H	φd			
0504	RG1	RGS1	TIA	-	500	4-35	5.2	54	73	85	22	9.5	1.5	25	5.5×7.5	55	
0505	RG4	RGS4	-	GSG	660/800	10-63	5.2	49.5	61	77	16.5	12.5	2.0	18	6.5×9	32	
0506	RG6	RGS6	-	GSA	500	80	5.2	68	94	113	31	19	2.0	33	9×11.5	146	
0507	RG7	-	TCP	-	500	100	5.2	68	94	113	34	19	2.0	35	9×11.5	228	
0508	RG7A	RGS7A	-	PC10D	500	110-150	5.5	57	90	119	38	24	3.0	40	10.5	178	
0509	RG11	RGS11	-	CR2L GSB	250	16-75	5.2	27.5	42	56	16.5	12.5	2.0	17.5	6.5×9	25	
0510	RG12	RGS12	-	CR2L GSB	250	75-175	5.2	31.5	58	80	26	19	3.0	27	9×11.5	79.5	
0511	RG14	RGS14	-	GSB	500	5-20	5.2	31	37	46	8.5	7	0.8	9.5	4.5×6	6	
0512	RG14B	RGS14B	-	GSB	500	5-20	5.2	54	64	73	8.5	7	0.8	9.5	4.5×6	8.5	
0513	RG15	RGS15	-	CR2L GSB	250	200	5.2	34	60	88	30	25	3.0	36	11×13	120	
0514	RG17	RGS17	-	GSB	500	40-100	5.2	54	78	96	22.2	20.5	2	24	9×12	62.3	
0515	RG18	RGS18	-	CR6L	600	75-150	5.2	40	70	95	30	25	3.2	33	11×13	147	
0516	RG19	RGS19	-	CR6L	600	200-250	5.2	43	82	107	37	30	4.0	42	11×13	219	
0517	RG0H	-	AAO	-	500	2-32	5.2	34	72	84	13.5	9.4	1.2	15	5.5×7.8	18	
0518	RG4AD	RGS4AD	-	250GH	250	32-160	5.2	29	56	77	23.8	20	3	25.5	9×14	39	
0519	RG4A	RGS4A	-	660GH	660	125-200	5.2	50	77	98	23.8	20	3	25.5	9×14	53	
0520	RG4B	RGS4B	-	660GH	660	225-315	5.2	50.5	82	108	31	25	3	34	10.5×16	75	

INQUIRY
400-800-9662

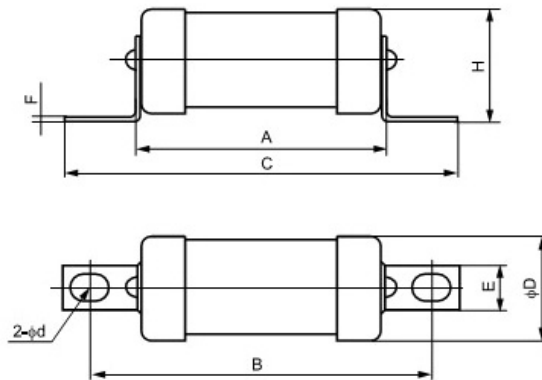


Figure 5.2



Cat. No.	Models				Rated voltage (V)	Rated current (A)	Dimensions/size (mm)							
	MIRO		Cross-reference				Fig. A	B	C	φD	E	F	H	
	gG(Normal)	aR(Fast)	gG(Normal)	aR(Fast)										
0504	RG1	RGS1	TIA	-	500	4~35	5.2	54	73	85	22	9.5	1.5	24
0505	RG4	RGS4	-	GSG	660/600	10~63	5.2	49.5	61	77	16.5	12.5	2.0	11
0506	RG6	RGS6	-	GSA	500	80	5.2	68	94	113	31	19	2.0	31
0507	RG7	-	TCP	-	500	100	5.2	68	94	113	34	19	2.0	31
0508	RG7A	RGS7A	-	PC10D	500	110~150	5.5	57	90	119	38	24	3.0	46
0509	RG11	RGS11	-	CR2L GSB	250	16~75	5.2	27.5	42	56	16.5	12.5	2.0	17.5
0510	RG12	RGS12	-	CR2L GSB	250	75~175	5.2	31.5	58	80	26	19	3.0	27
0511	RG14	RGS14	-	GSB	500	5~20	5.2	31	37	46	8.5	7	0.8	9.5
0512	RG14B	RGS14B	-	GSB	500	5~20	5.2	54	64	73	8.5	7	0.8	9.5
0513	RG15	RGS15	-	CR2L GSB	250	200	5.2	34	60	88	30	25	3.0	36
0514	RG17	RGS17	-	GSB	500	40~100	5.2	54	78	96	22.2	20.5	2	24
0515	RG18	RGS18	-	CR6L	600	75~150	5.2	40	70	95	30	25	3.2	33
0516	RG19	RGS19	-	CR6L	600	200~250	5.2	43	82	107	37	30	4.0	42
0517	RG0H	-	AAO	-	500	2~32	5.2	34	72	84	13.5	9.4	1.2	15
0518	RG4AD	RGS4AD	-	250GH	250	32~160	5.2	29	56	77	23.8	20	3	25.5
0519	RG4A	RGS4A	-	660GH	660	125~200	5.2	50	77	98	23.8	20	3	25.5
0520	RG4B	RGS4B	-	660GH	660	225~315	5.2	50.5	82	108	31	25	3	34

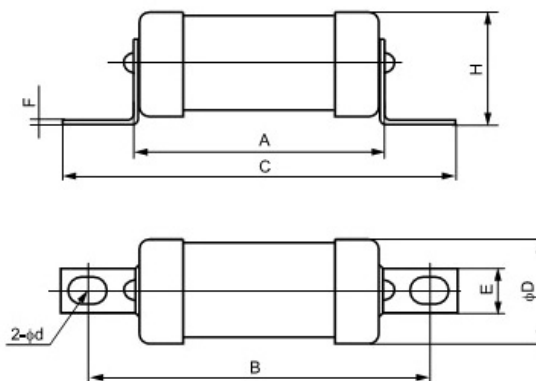


Figure 5.2

About Mingrong

- Company Profile
- Development
- Organization
- President address

News and media

- Company news
- Enterprise video
- Exhibition information

Products and Services

- Fuse links
- Bole connected fuse links
- Fuse bases
- Fuse alarms
- Fuse carriers
- Combinating electric of fuse
- Automobile Fuse
- High voltage fuse

Support

- Customer Service Center
- Customer complaints
- Marketing network
- Technical FAQ
- Download

Jobs

- Talent concept
- Recruitment information
- Recruitment line

Contact Us

- Regions
- Contact
- Sitemap

